

Telehandler

OPERATING WEIGHT	21,500 lbs (9,752 kg)
NET ENGINE POWER	99 hp (73.8 kW)
MAXIMUM LIFT CAPACITY	8,000 lbs (3,629 kg)
MAXIMUM LIFT HEIGHT	42' (12.8 m)


Specifications
Performance

Operating weight with forks	21,500 lbs (9,752 kg)
Outside turn radius	14' 9" (4.50 m)
Maximum drawbar pull	19,200 lbs (8,709 kg)
Maximum lifting height	42' (12.8 m)
Reach at maximum height	3' (0.91 m)
Maximum forward reach	25' (7.62 m)
Maximum lift capacity	8,000 lbs (3,629 kg)
Lift capacity at maximum height	6,000 lbs (2,722 kg)
Lift capacity at maximum reach	2,000 lbs (907 kg)

Steering

Power assisted steering
Three steering modes: 2-wheel, 4-wheel coordinated, and 4-wheel crab

Engine

John Deere 4045TF270 (Std.) / Deutz BF4M2012 (Opt.)
4 cylinders turbocharged diesel
Power @ 2,500 rpm Std. 99 hp (73.8 kW) / Opt. 100 hp (74.6 kW)
Tier II Compliant

Transmission

3 speed Powershift/torque converter	
4-wheel drive	
Front axle differential lock (std)	
Maximum speed	18 mph (29 km/h)

Brakes

Inboard multiple wet disc

TELEHANDLER
GTH-842

Telehandler GTH-842

Specifications

Sway Control - Frame Leveling	
Circuit isolated cylinders, 10 degrees either side of center	
Frame Stabilizer	
Twin rear axle lock cylinders	
Hydraulic System	
Pressure compensated hydraulic system	
Variable-displacement axial piston pump	
10 Micron filtration	
Tank Capacities	
Fuel	30 gal (114 L)
Hydraulic oil	34 gal (129 L)
Hydraulic system capacity (w/tank)	50 gal (189 L)
Tires	
1300 x 24-12 ply, calcium chloride solution filled	
Forks and Attachment Holder Plate	
Length	48" (1.22 m)
Fork cross-section	2" x 4" (50 mm x 100 mm)
Operating Cab	
Structure conforms to ISO 8471 (ROPS) and ISO 8449 (FOPS)	
Optional enclosed cab, heater and air conditioning	
Attachments and Fork Options	
Cubing tines	Set of four
Pallet forks	60" & 72" (1.52 & 1.83 m)
Rotating fork frames	48", 60", & 72" (1.22, 1.52, & 1.83 m)
45° Swing fork frames	60" & 72" (1.52 & 1.83 m)
Rubbish bucket	1 yd ³ (0.76 m ³)
Variable reach truss boom	
Quick switch attachment	
Auxiliary hydraulic circuit	3-7 gpm (11-26 Lpm) / 2,800 psi (193 bar)

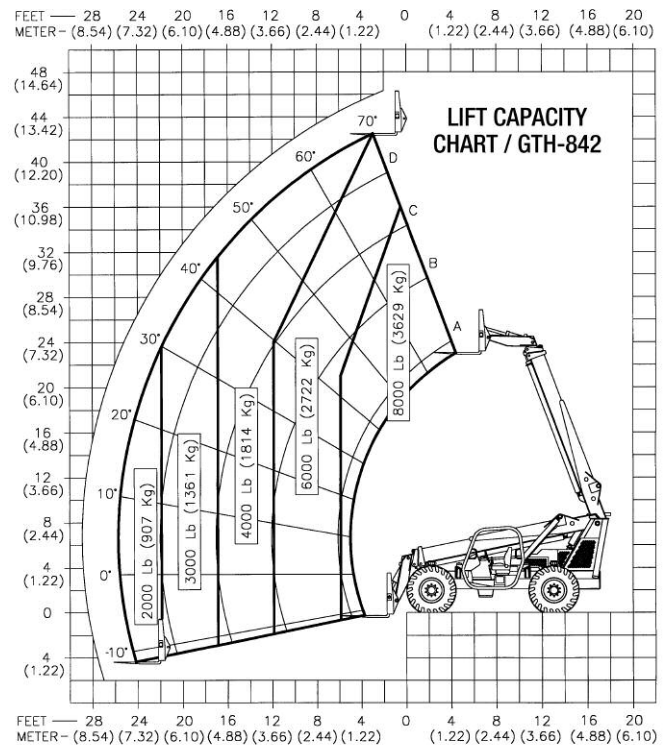
Standards Compliance

ASME B 56.6, ISO 8471, ISO 8449

Dimensions with Boom Retracted and Down

Overall L x W x H	20' x 8' 6" x 8' 11" (6.10 x 2.59 x 2.72 m)
Wheelbase	10' 10" (3.30 m)
Turning radius, outside (4WS)	14' 9" (4.50 m)
Ground clearance (center)	1' 5" (0.43 m)

Working Ranges and Lift Capacities



Genie Industries, Inc.

A Terex company

18340 NE 76th Street
PO Box 97030
Redmond, WA 98073-9730

TEL 425-881-1800
TOLL FREE 800-536-1800
PARTS & TECH SUPPORT 888-201-6008
FAX 425-883-8475
WEB terex.com

For more information, product demonstration, or details on purchase, lease and rental plans, please contact your local Genie Distributor.

Effective date: August 15, 2006. For further information, please contact your local distributor or the Terex sales office listed. Product specifications are subject to change without notice or obligation. The photographs and drawings in this brochure are for illustrative purposes only. Refer to the appropriate Operator's Manual for instructions on the proper use of this equipment. Failure to follow the appropriate Operator's Manual when using our equipment or to otherwise act irresponsibly may result in serious injury or death. Prices and specifications subject to change without notice. The only warranty applicable is the standard written warranty applicable to the particular product and sale. Terex makes no other warranty, expressed or implied. Products and services listed may be trademarks, service marks or trade-names of Terex Corporation and/or its subsidiaries in the USA and other countries and all rights are reserved. "Terex" is a Registered Trademark of Terex Corporation in the USA and many other countries. Copyright ©2006 Terex Corporation