

# M0 series

5,500lb - 8,000lb

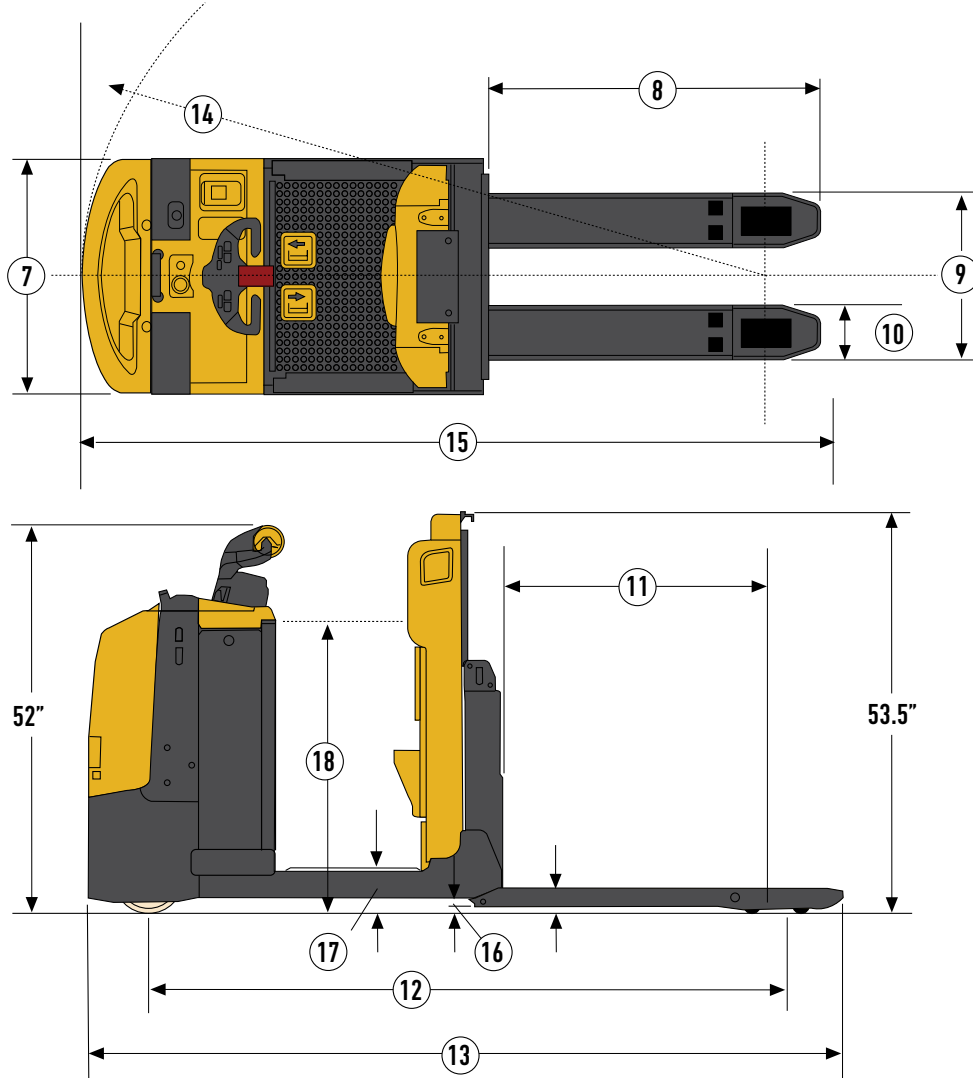
## Low-Level Order Picker



### SPEC SHEET

Models: M055, M060, M080

## TRUCK DIMENSIONS M055-80



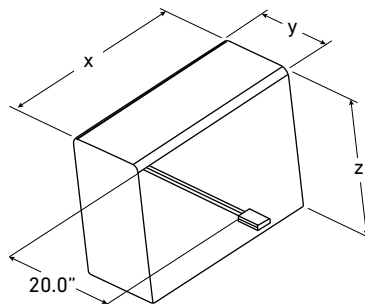
Circled truck dimensions correspond to the line numbers in the General Specifications chart. Dimensions are listed in inches (millimeters).

## BATTERY AND COMPARTMENT SPECIFICATIONS M055-80

Battery Type	Compartment Dimensions			Battery Dimensions			No. of Cells	Cell Size	Plates Per Cell	Capacity
	Width	Length	Height	"X"	"Y"	"Z"				6 Hour Rate
				in (mm)						amp hr (kwh)
Industrial	31.2 (792.0)	14.1 (357.0)	32.0 (814.0)	26.1 (663)	12.8 (325)	23.3 (592)	12	85	11	425 (9.9)
				30.9 (785)	13.0 (330)	23.3 (592)	12	85	13	510 (11.9)
				30.9 (785)	13.0 (330)	30.8 (782)	12	125	13	750 (17.5)

Battery Connector: 175 Amp, Red

Battery Lead: Length 20" (508 mm), Position "B", 1/0 AWG



## GENERAL SPECIFICATIONS M055

GENERAL	1	Manufacturer		Yale		
	2	Model designation		M055		
	3	Power		Battery		
	4	Voltage		34		
	5	Operation		Order Picker		
	6	Rated capacity	lbs (kg)	5500 (2500)		
DIMENSIONS	7	Overall width	in (mm)	31.3 (796)		
	8	Fork length	in (mm)	46.5 (1181)   94.9 (2411)		
	9	Fork overall width	in (mm)	26.4 (670)		
	10	Fork width - individual fork	in (mm)	7.2 (184)		
	11	Load wheel drop - lowered	in (mm)	39 (990)   59.8 (1518)		
	12	Wheelbase	in (mm)	79.3 (2015)   100.1 (2543)		
	13	Overall length	in (mm)	101.9 (990)   150.4 (3819)		
	14	Outside turning radius	in (mm)	87.4 (990)   108.1 (1747)		
	15	Equal aisle	90 Intersecting aisle	in (mm)	111.3 (990)   111.3 (2827)	
	16	Ground clearance	Center of wheelbase	in (mm)	1 (25)	
	17	Step height		in (mm)	6 (152)	
	18	Platform elevated height		in (mm)	38.6 (980)	
	19	Battery compartment	Height / standard battery rollers	in (mm)	31.2 x 14.1 x 32 (792 x 357 x 814)	
	20	Floor to top of battery rollers	Side extraction	in (mm)	5.6 (141)	
PERFORMANCE	21	Travel speed - NL/RL	mph (km/h)	6.5 / 5.3 (10.5 / 8.5)		
	22	Lift speed - NL/RL	Forks	ft/min (m/sec)	8 / 5 (0.039 / 0.023)	
			Cab	ft/min (m/sec)	37 / 37 (0.189 x 0.189)	
	23	Lower speed - NL/RL	Forks	ft/min (m/sec)	4 / 7 (0.018 / 0.038)	
			Cab	ft/min (m/sec)	32 / 32 (0.162 / 0.162)	
	24	Gradeability - NL/RL	5 Minute rating	%	20 / 6	
60 Minute rating			%	20 / 10		
26	Brake	Service / parking		Electromagnetic		
WEIGHT	27	Truck weight - NL	Without Battery	lb (kg)	2888 (1310)	
	28	Axle loading - drive - NL/RL	Static w/ Max. Wt. Battery	lb (kg)	2154 / 3180 (977 / 1442)	
	29	Axle loading - load wheel- NL/RL	Static with Max. Wt. Battery	lb (kg)	734 / 5221 (333 / 2368)	
TIRES & WHEELS	30	Tire type - drive / steer			Vulkollan / polyurethane	
	31	Tire size - drive / steer	Std	in	10 x 3.5 / 10 x 3.5	
	32	Wheels - number - drive / steer	X=Driven			1X / 4
ELECTRIC	33	Battery	Type		Lead acid	
	34	Traction motor	60 Minute rating	hp (kW)	3.5 (2.6)	
	35	Pump motor	15 Minute rating	hp (kW)	2.7 (2)	
	36	Traction motor	Type / control method			AC / Mosfet
	37	Pump motor	Type / control method			AC / Mosfet
	38	Number of speeds	Traction / pump			Infinitely variable / infinitely variable

## GENERAL SPECIFICATIONS M060

GENERAL	1	Manufacturer		Yale	
	2	Model designation		M060	
	3	Power		Battery	
	4	Voltage		24	
	5	Operation		Order Picker	
	6	Rated capacity	lb (kg)	6000 (2722)	
DIMENSIONS	7	Overall width	in (mm)	31.3 (796)	
	8	Fork length	in (mm)	36 (915)   48 (1219)   60 (1524)	
	9	Fork overall width	in (mm)	26.4 (670)	
	10	Fork width - individual fork	in (mm)	9 (229)	
	11	Load wheel drop - lowered	in (mm)	27.4 (696)   39.4 (1000)   51.4 (1306)	
	12	Wheelbase	in (mm)	74.4 (1899)   86.8 (2204)   98.8 (2509)	
	13	Overall length	in (mm)	91.5 (2322)   103.5 (2627)   94.25 (2932)	
	14	Outside turning radius	in (mm)	83 (2104)   95 (2409)   107 (2714)	
	15a	Aisle Width	Working aisle (Ast) (unladen forks)	in (mm)	99.3 (2522)   111.3 (2827)   123.3 (3132)
	15b	Aisle Width	90-deg Equal Intersecting aisle	in (mm)	84 (2134)   92 (2348)   101 (2563)
	16	Ground clearance	Center of wheelbase	in (mm)	1 (25)
	17	Step height		in (mm)	6 (152)
	18	Platform elevated height		in (mm)	38.6 (980)
	19	Battery compartment	Height / standard battery rollers	in (mm)	31.2 x 14.1 x 32 (792 x 357 x 814)
20	Floor to top of battery rollers	Side extraction	in (mm)	5.6 (141)	

Above specifications, unless otherwise listed, are for a standard truck without optional equipment.

NL = no load RL = rated load

## GENERAL SPECIFICATIONS M060 (CONTINUED)

PERFORMANCE	21	Travel speed - NL/RL		mph (km/h)	6.5 / 5.3 (10.5 / 8.5)		
	22	Lift speed - NL/RL	Forks	ft/min (m/sec)	8 / 5 (0.039 / 0.023)		
			Cab	ft/min (m/sec)	37 / 37 (0.189 x 0.189)		
	23	Lower speed - NL/RL	Forks	ft/min (m/sec)	4 / 7 (0.018 / 0.038)		
Cab			ft/min (m/sec)	32 / 32 (0.162 / 0.162)			
24	Gradeability - NL/RL	Maximum Gradeability	%	6 / 16			
26	Brake	Service / parking		Electromagnetic			
WEIGHT	27	Truck weight - NL	Without Battery	lb (kg)	1950 (886)	1995 (907)	2030 (923)
	28	Axle loading - drive - NL/RL	Static w/ Max. Wt. Battery	lb (kg)	2213 (1006) / 3401 (1546)	2246 (1020) / 3418 (1554)	2273 (1033) / 3430 (1560)
	29	Axle loading - load wheel- NL/RL	Static with Max. Wt. Battery	lb (kg)	738 (335) / 5549 (2522)	749 (340) / 5577 (2535)	758 (344) / 5600 (2545)
TIRES & WHEELS	30	Tire type - drive / steer			Vulkollan / polyurethane		
	31	Tire size - drive / steer	Std	in (mm)	10 x 3.5 / 10 x 3.5 (254 x 90 / 254 / 90)		
	32	Wheels - number - drive / steer	X=Driven		1X / 4		
ELECTRIC	33	Battery	Type		Lead acid		
	34	Traction motor	60 Minute rating	hp (kW)	3.5 (2.6)		
	35	Pump motor	15 Minute rating	hp (kW)	2.7 (2)		
	36	Traction motor	Type / control method		AC / Mosfet		
	37	Pump motor	Type / control method		AC / Mosfet		
	38	Number of speeds	Traction / pump		Infinitely variable / infinitely variable		

## GENERAL SPECIFICATIONS M080

GENERAL	1	Manufacturer			Yale		
	2	Model designation			M080		
	3	Power			Battery		
	4	Voltage			24		
	5	Operation			Order Picker		
	6	Rated capacity		lb (kg)	8000 (3629)		
DIMENSIONS	7	Overall width		in (mm)	31.3 (796)		
	8	Fork length		in (mm)	48 (1219)	96 (2348)	144 (3658)
	9	Fork overall width		in (mm)	26.4 (670)		
	10	Fork width - individual fork		in (mm)	9 (229)		
	11	Load wheel drop - lowered		in (mm)	39.4 (1001)	60.4 (1534)	87.5 (2221)
	12	Wheelbase		in (mm)	92.5 (2349)	113.5 (2882)	161.5 (4101)
	13	Overall length		in (mm)	109 (2772)	157 (3991)	205 (5211)
	14	Outside turning radius		in (mm)	101 (2554)	122 (3087)	170 (4306)
	15a	Aisle Width	Working aisle (Ast) (unladen forks)	in (mm)	117 (2972)	165 (4191)	213 (5411)
	15b	Aisle Width	90-deg Equal Intersecting aisle	in (mm)	96 (2450)	111 (2825)	145 (3684)
	16	Ground clearance	Center of wheelbase	in (mm)	1 (25)		
	17	Step height		in (mm)	6 (152)		
	18	Platform elevated height		in (mm)	38.6 (980)		
	19	Battery compartment	Height / standard battery rollers	in (mm)	31.2 x 14.1 x 32 (792 x 357 x 814)		
20	Floor to top of battery rollers	Side extraction	in (mm)	5.6 (141)			
PERFORMANCE	21	Travel speed - NL/RL		mph (km/h)	6.5 / 5.3 (10.5 / 8.5)		
	22	Lift speed - NL/RL	Forks	ft/min (m/sec)	8 / 5 (0.039 / 0.023)		
			Cab	ft/min (m/sec)	37 / 37 (0.189 x 0.189)		
	23	Lower speed - NL/RL	Forks	ft/min (m/sec)	4 / 7 (0.018 / 0.038)		
			Cab	ft/min (m/sec)	32 / 32 (0.162 / 0.162)		
	24	Gradeability - NL/RL	Maximum Gradeability	%	6 / 16		
26	Brake	Service / parking		Electromagnetic			
WEIGHT	27	Truck weight - NL	Without Battery	lb (kg)	1995 (907)	2100 (955)	2250 (1023)
	28	Axle loading - drive - NL/RL	Static w/ Max. Wt. Battery	lb (kg)	2246 (1020) / 4178 (1900)	2325 (1057) / 4218 (1917)	2438 (1108) / 4275 (1943)
	29	Axle loading - load wheel- NL/RL	Static with Max. Wt. Battery	lb (kg)	749 (340) / 6817 (3100)	775 (352) / 6882 (3128)	813 (370) / 6975 (3170)
TIRES & WHEELS	30	Tire type - drive / steer			Vulkollan / polyurethane		
	31	Tire size - drive / steer	Std	in (mm)	10 x 3.5 / 10 x 3.5 (254 x 90 / 254 / 90)		
	32	Wheels - number - drive / steer	X=Driven		1X / 4		
ELECTRIC	33	Battery	Type		Lead acid		
	34	Traction motor	60 Minute rating	hp (kW)	3.5 (2.6)		
	35	Pump motor	15 Minute rating	hp (kW)	2.7 (2)		
	36	Traction motor	Type / control method		AC / Mosfet		
	37	Pump motor	Type / control method		AC / Mosfet		
	38	Number of speeds	Traction / pump		Infinitely variable / infinitely variable		

Above specifications, unless otherwise listed, are for a standard truck without optional equipment.

NL = no load RL = rated load

## FEATURES LIST

### STANDARD FEATURES

31.18x14.05x32.04" (792x357x814mm) Battery compartment (for 620 Ah DIN battery)
Battery removal without rollers - lift out
6.5mph Maximum travel speed (unladen)
Key switch start
Without load backrest
Forks (36"Long x 26.37"OAW (6,000 lb model)
Forks (48"Long x 26.37"OAW (8,000 lb model)
Dash display with hour meter and graphic battery state of charge indicators
Handle above operator backrest
Drive wheel - 10" x 3.5" NDIIthane
3.3" x 3.5" Tandem polyurethane load wheels
Fixed operator platform
Scooter steer control
12 Months / no hour limit full truck warranty (please refer to the full warranty statement for additional details).
Without battery
Without charger
English literature pack and labels
Regenerative braking
Adjustable performance settings
AC traction motor
Brushless DC steer motor
Dual-technology MOSFET combi controller
Impact-resistant motor compartment cover
Sealed combi controller (IP65 rating)
Hall-effect sensors and switches (no wear, no adjustment)
CANbus communication system
1000 hours service intervals

### OPTIONAL FEATURES

Side battery extraction - both sides
Side battery extraction - left side
Side battery extraction - right side
8mph Maximum travel speed (unladen)
Cold store construction (-22° F)
Operator password start interlock
Forks (48"long x 26.37"OAW (6,000 lb model)
Forks (60"long x 26.37"OAW (6,000 lb model)
Forks (96"long x 26.37"OAW (8,000 lb model)
Forks (144"long x 26.37"OAW (8,000 lb model)
Multifunctional display includes: hour meter, graphic battery state of charge indicator, maintenance indicator, alarm with fault code indicators, traction and acceleration reduction mode indicator
Load backrest
10" x 3.5" Tophane drive wheel
Drive wheel - 10" x 3.5" NDIIthane Conductive
3.3" x 2.7" Tandem polyurethane load wheels
Clip board
Coasting function
Convenience tray (load backrest mounted)
Multipurpose bar above motor cover
Stretch film roll holder
Trash bin in operator back rest
Raising operator platform
Raising operator platform with retractable side arms
Scooter steer control on lifting platform
Scooter control on lifting platform with platform control
Low mounted bumper (rubber bumper)
Mid mounted bumper (bull bar)
Yale Vision wireless access HID Prox card reader
Yale Vision wireless access iClass MiFare prox card reader
Yale Vision Wireless access ISO Prox card reader
Yale Vision wireless monitoring - Cell
Yale Vision wireless monitoring - Wifi
Yale Vision wireless verification
Audible alarm - reverse direction activated - self-adjusting 82-102 dB(A)
DC to DC converter - primary - for factory installed options - 25 amps/300 watts @ 12 volts
Multiple extended protection coverage plans( please refer to the Full Extended Warranty Statements for additional details).
French literature pack and labels
Spanish literature pack and labels
Less charger (wired plug included)
Battery cable extension 59" (1500mm)
Twin battery change station

# About Yale®



Yale Materials Handling Corporation is one of the oldest manufacturers of lift trucks in the world. We've been in the business of lifting since 1875 and we apply that experience to help customers solve materials handling challenges. Our full line of lift trucks range in capacity from 2,000 to 36,000 pounds and are powered by internal combustion engines or electric options. Yale also offers robotic solutions, telemetry, fleet management, parts, financing and training. From traditional lift truck equipment to emerging technologies, our goal, every day, is to work with our nationwide dealer network to continually improve and provide the solutions you need, when and how you need them.

## MATERIALS HANDLING FOR:



3PL



Auto Parts  
Distribution



Beverage



Cold & Frozen  
Foods



Food  
Distribution



Food  
Processing



Furniture &  
Furnishings



Health &  
Pharma



Home  
Centers



Printing &  
Publishing




Retail &  
E-Commerce

## Yale Materials Handling Corporation

P.O. Box 7367  
Greenville, NC 27835-7367  
U.S.A.

[www.yale.com](http://www.yale.com)

YALE,  and PEOPLE. PRODUCTS. PRODUCTIVITY, are trademarks, service marks or registered marks in the United States and certain other jurisdictions. © Yale Materials Handling Corporation 2021. All Rights Reserved.

Trucks may be shown with optional equipment. Truck performance may be affected by the condition of the vehicle, how it is equipped and the application. Specifications are subject to change without notice. Consult your Yale® Dealer if any of the information shown is critical to your application.

CERTIFICATION: Yale lift trucks meet the design and construction requirements of B56.1-1969, per OSHA Section 1910.178(a)(2), and also comply with the B56.1 revision in effect at time of manufacture. Classified by Underwriters' Laboratories, Inc.